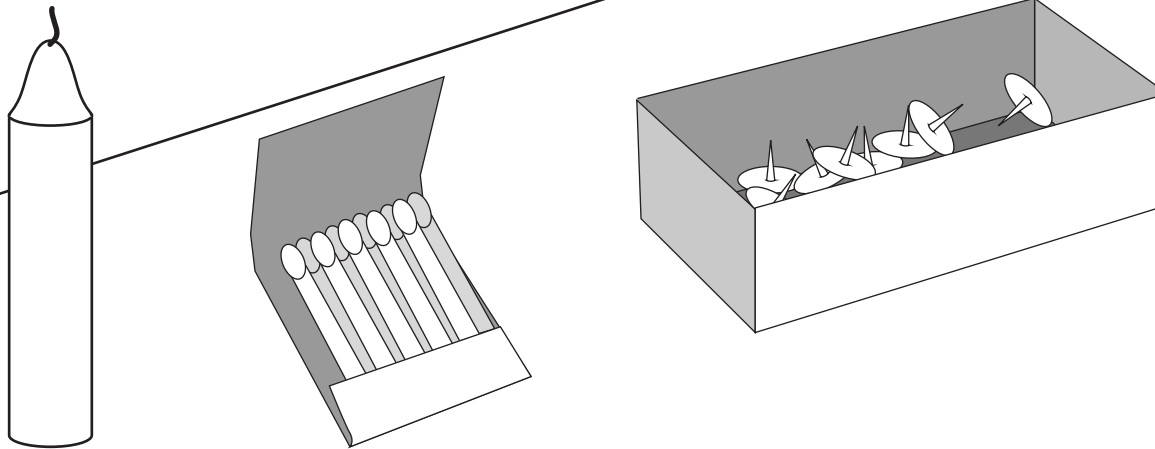


How can you fix and light the candle to the wall in a way the candle wax won't drip onto the table below? To do so, one may only use the following along with the candle:

- a box of matches
- a box of thumbtacks



The solution. The candle problem or candle task, also known as Duncker's candle problem, tests problem solving skills. How did you do?

